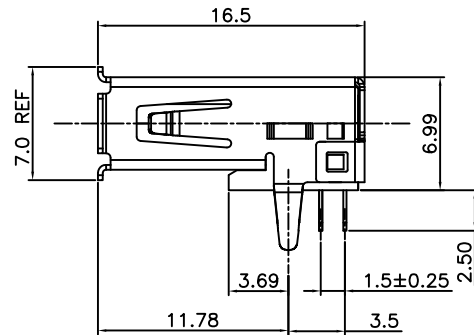
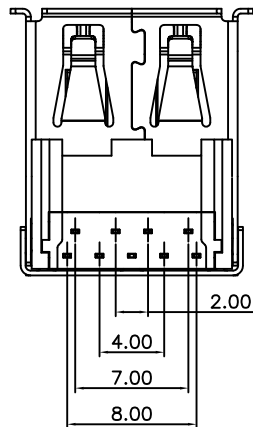
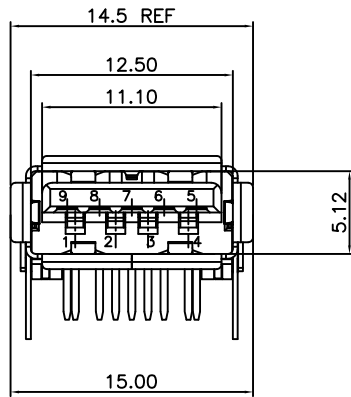
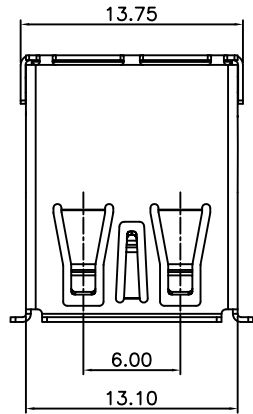


REV.	ECN NO.	DR	DATE
00	NEW	Alex	07-Oct-14



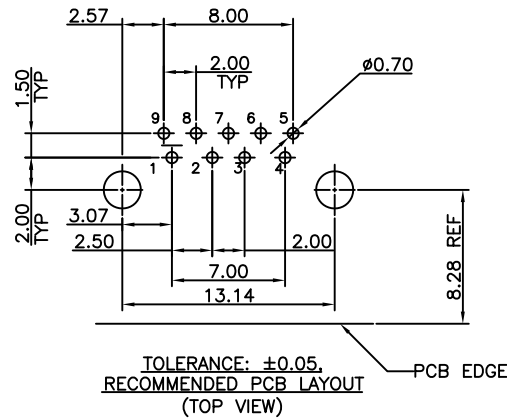
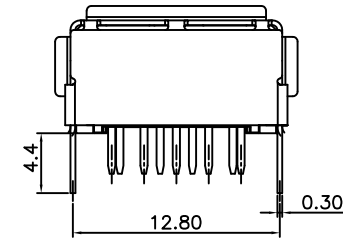
NOTES:

1.MATERIAL:

- 1.1 HOUSING: HIGH TEMPERATURE THERAL PLASTIC.
- 1.2 SPRING CONTACT: COPPER ALLOY
- 1.3 FLAT CONTACT; COPPER ALLOY MIN. NICKEL UNDERPLATING OVER ALL.
- 1.4 SHELL : COPPER ALLOY.
- 1.5 COVER: HIGH TEMPERATURE THERAL PLASTIC.

2.FINISH:

- 2.1 CONTACT: (SEE P/N.),[50
- 2.2 SHELL: [50m"] MIN.SOLDERABLITY NICKEL UNDERPLATING OVER ALL.



PIN NO.	PIN 1	PIN 2	PIN 3	PIN 4
SLGNL NAME	V BUS	D-	D+	GND
REMARK	USB 2.0 CONTACT PINS			

PIN NO.	PIN 5	PIN 6	PIN 7	PIN 8	PIN 9
SLGNL NAME	STDA_SSRX-	STDA_SSRX+	GND_DRAIN	STDA_SSTX-	STDA_SSTX+
REMARK	USB 3.0 CONTACT PINS				

TOLERANCE UNLESS OTHERWISE SPECIFIED		THIRD ANGLE PROJECTION		Coorle Technology			
DRAWING BY & DATE Alex 07-Oct-14		DWG NO.:					
CHECKED BY & DATE		APPROVED BY & DATE		TITLE: USB 3.0, A TYPE, R/A,DIP,CONNECTOR.短翻边			
PRODUCT FAMILY: USB 3.0 FEMALE		SIZE A4	UNIT MM	SCALE 1 : 1	SHEET 1 OF 1	REV. 1	

8 7 6 5 4 3 2 1

8 7 6 5 4 3 2 1

F
E
D
C
B
A

F
E
D
C
B
A